

PREVIEW

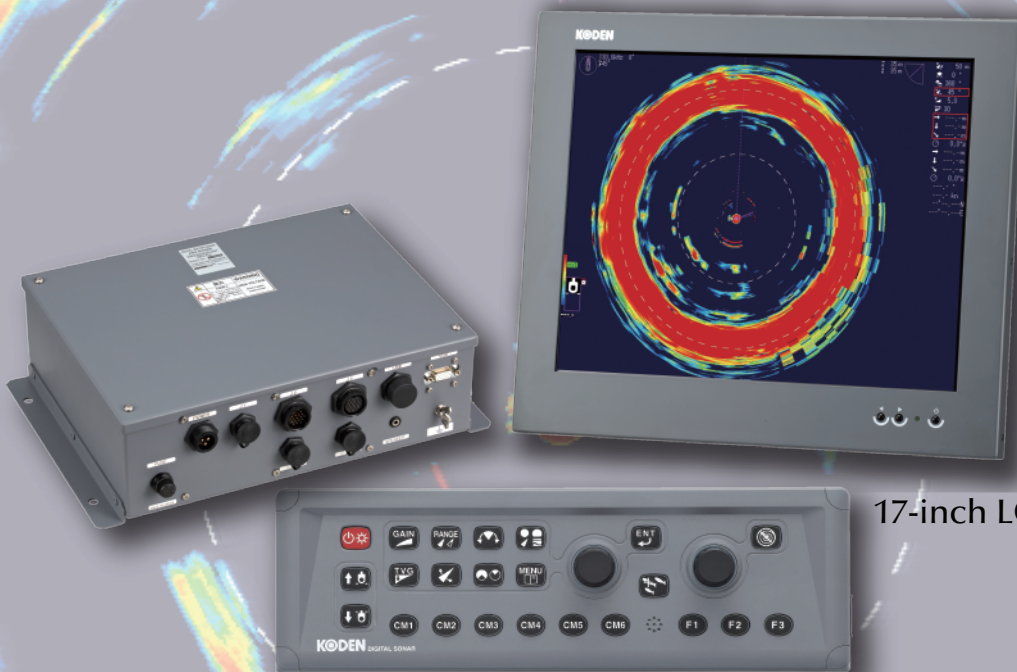
KODEN

Digital Sector Sonar

KDS-8000BB

(((Broadband)))

**High rotation speed with clear image!
Advanced user friendly interface with
Broadband Sector Sonar**



17-inch LCD monitor
(Option)

Features

- ▶ Fast image refresh due to high rotation speed combined with 45° sector using 9 beams of 5°
- ▶ High resolution and clear images using advanced Koden Digital Signal Processing
- ▶ Change frequency on the go with our advanced Broadband technology
- ▶ Five quick access presentation modes (Sonar, Off-Center, Bottom Scan, Echo Sounder, Dual Sonar)
- ▶ Advanced Condition Memory for quick saving of different settings and preferences
- ▶ Black Box sector sonar for ease of installation

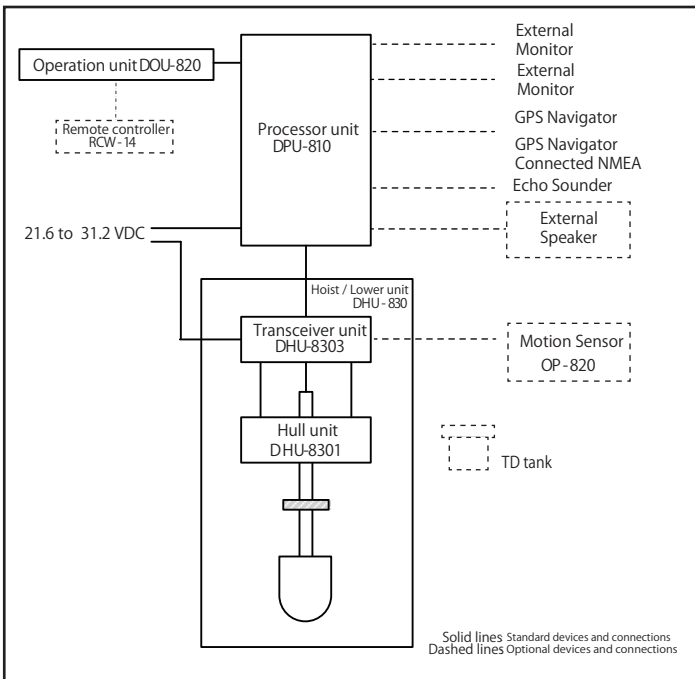
SPECIFICATIONS

Model	KDS-8000BB									
Output power (RMS)	1.5 kW									
Output frequency	130 to 210 kHz (0.1kHz step)									
Tilt angle	+5° to -90° (1° step)									
Beam angle	Horizontal: 6°, 12°, 18°, 45° Vertical direction: 16.8°(130 Hz) to 10.4°(210 kHz)									
TD stroke	200 to 400 mm									
Display size and type	XGA(1024×768) or HD(720P)(1280×720) resolution (Owner supplied)									
Basic ranges	10 to 1200(m), 30 to 4000(ft), 10 to 700(fm), 10 to 800(l.fm) (8 ranges can be set to users choice)									
Range units	m, ft, fm, l.fm									
Scanning angles	Sector scan mode	45° step: 45° 90° 135° 180° 225° 360°								
	PPI scan mode	6° step:	6°	30°	54°	102°	150°	198°	246°	360°
		12° step:	12°	36°	60°	108°	156°	204°	252°	360°
	Bottom scan mode	18° step:	18°	54°	90°	126°	162°	198°	234°	360°
360° Scanning range (m)	6° step:	6°	30°	54°	102°	150°	174°			
	12° step:	12°	36°	60°	84°	108°	132°	156°	180°	
Scanning time (extracts)	Sector scan(sec.)	4.0	4.7	5.3	5.8	6.2	6.6	7.0	7.9	
	PPI scan(sec.)	5.6	6.1	6.6	7.2	7.7	8.8	9.8	11.0	
Bearing center	1° step									
Presentation modes	Sonar Off-center, Bottom scan, Echo sounder, Sonar×2									
Off-Center	Fore, Back, Left, Right									
Target lock	Reverse, Horizontal, Horizontal + Vertical, Marker + Horizontal, Marker + Vertical									
Presentation colors	8 colors, 16 colors									
Functions	TVG, Color rejection, Dynamic range, Compass display, Pulse width, A-scope, CM key, noise reduction, Image correction, Bearing display, TD auto up									
Language	English, Greek, Italian, Japanese, Myanmar, Korean, Portuguese, Spanish, Thai, Traditional Chinese, Vietnamese									
Input data format and sentences	NMEA0183 GGA, GLL, HDG, HDM, HDT, RMC, VTG, ZDA									
Output data format and sentences	NMEA0183 DBT, DPT, GGA, GLL, MTW, RMC, TLL, VTG, ZDA									
NMEA ports	Total 1: input / output									
Power supply	Processor unit	21.6 to 31.2 VDC								
	Hoist / Lower unit	21.6 to 31.2 VDC								
Power consumption	Processor unit	80W or less (24 VDC)								
	Hoist / Lower unit	450W or less (24 VDC)								

Environmental

Operating temperature	-15°C to +55°C
Water protection	Operation unit: IPX5, Processor unit: IPX0 (No protection) Transceiver unit: IPX2

CONNECTIONS

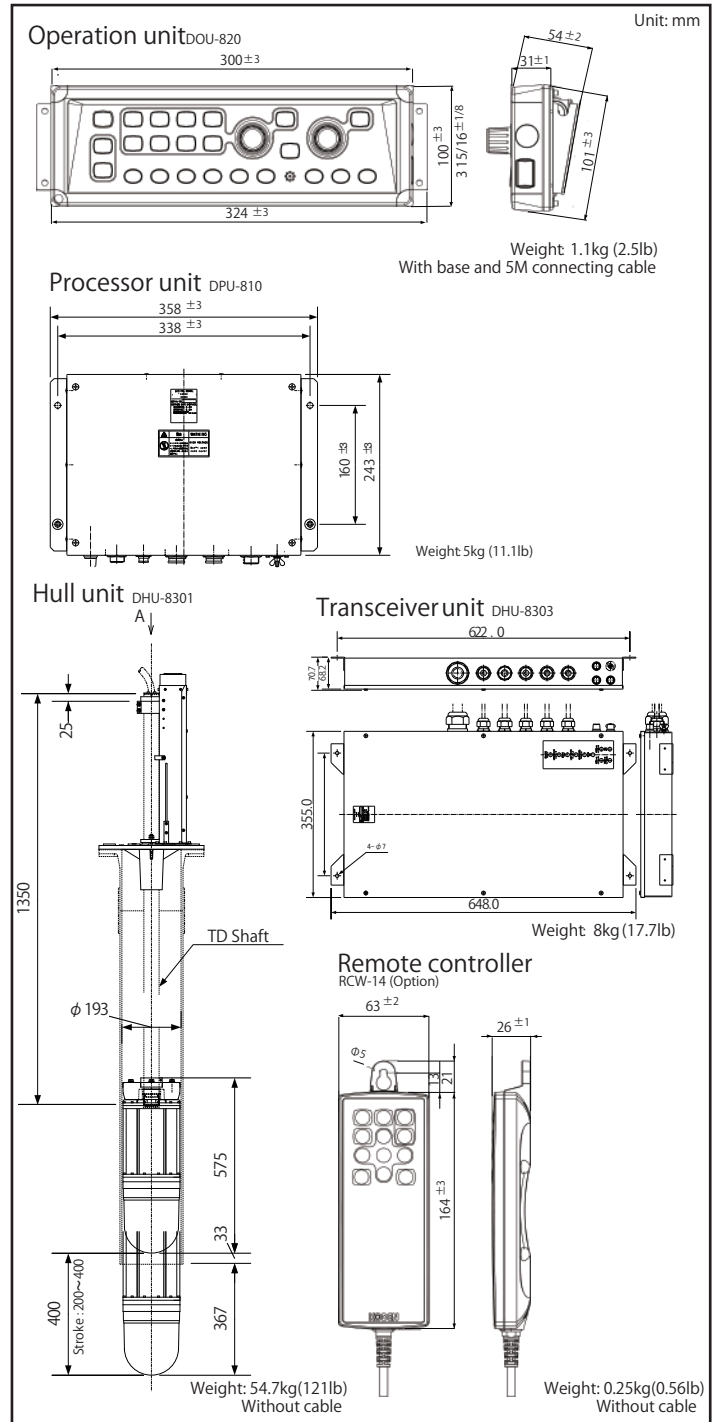


EQUIPMENT LIST

Standard equipment	Processor unit	1
	Operation unit	1
	Transceiver unit	1
	Hull unit	1
	Accessories for Processor unit	1 set
	Installation materials for Hull unit	1 set
	DC power cable	1
	Operation manual, Installation manual, Quick Reference	1 set

Options	Remote controller, Motion sensor, FRP TD tank, Shaft guide for FRP tank, Connecting cable, 17 inch LCD monitor, External speaker
---------	--

DIMENSIONS AND WEIGHT



• Design and specifications are subject to change without notice.

KODEN Kodens Electronics Co., Ltd.

Tamagawa Office:
2-13-24 Tamagawa, Ota-ku, Tokyo, 146-0095 Japan
Tel: +81-3-3756-6501 Fax: +81-3-3756-6509
Uenohara Office:
5278 Uenohara, Uenohara-shi, Yamanashi, 409-0112 Japan
Tel: +81-554-20-5860 Fax: +81-554-20-5875

overseas@koden-electronics.co.jp

www.koden-electronics.co.jp



Safety precaution

To ensure proper and safe use of the equipment, please carefully read and follow the instructions in the Operation Manual.

For details, please contact: